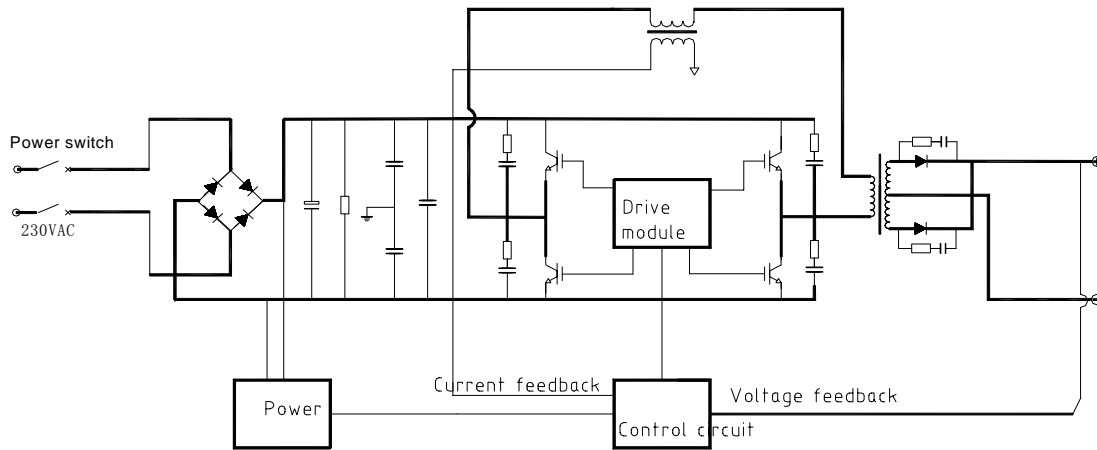
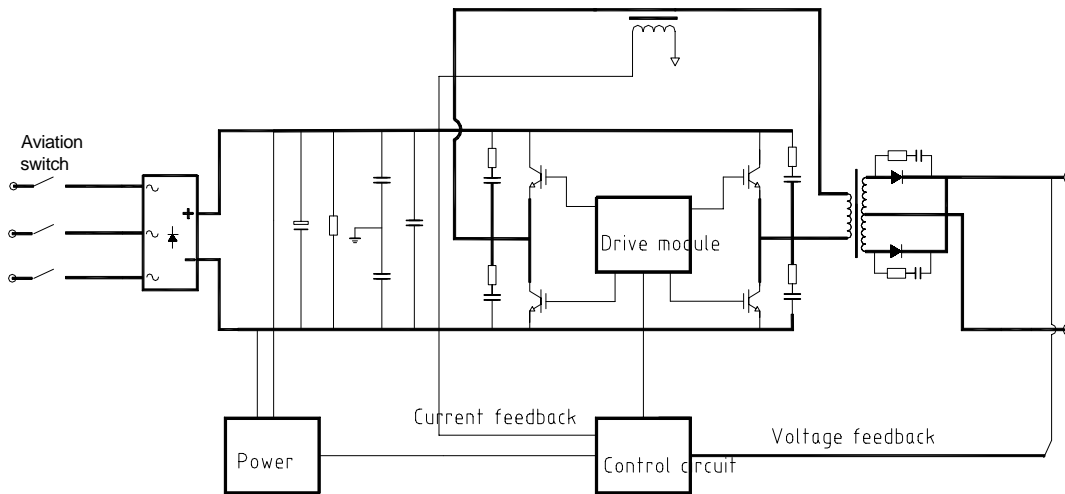


I. ARC Series Block Diagram



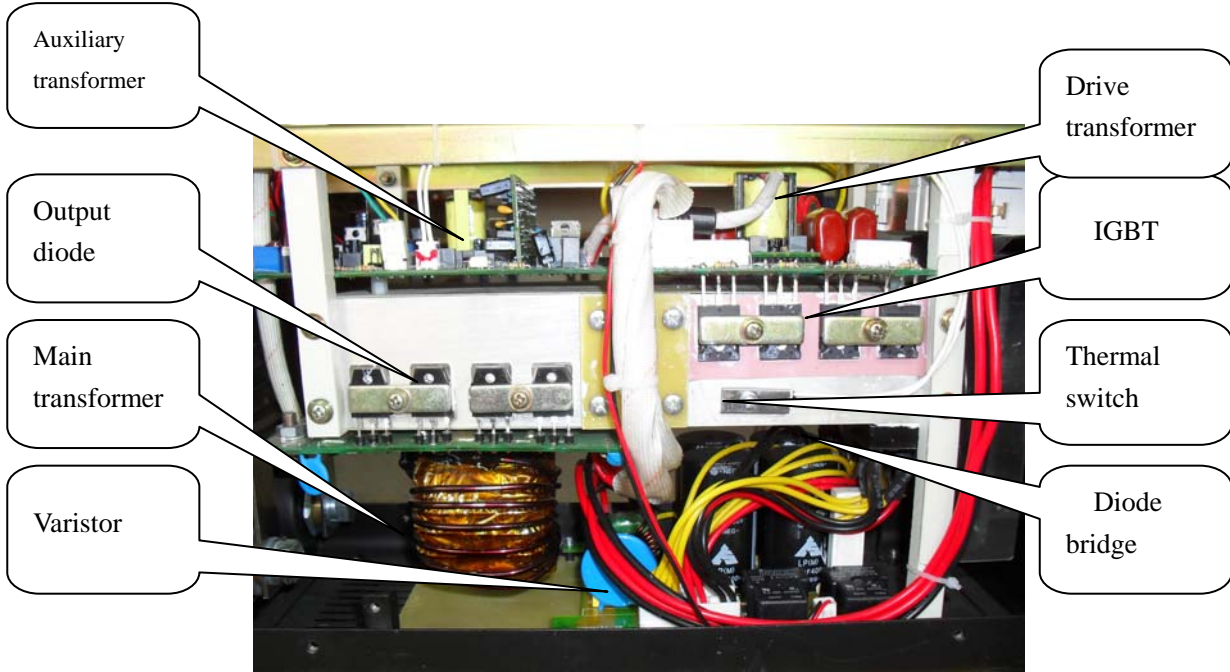
Single phase



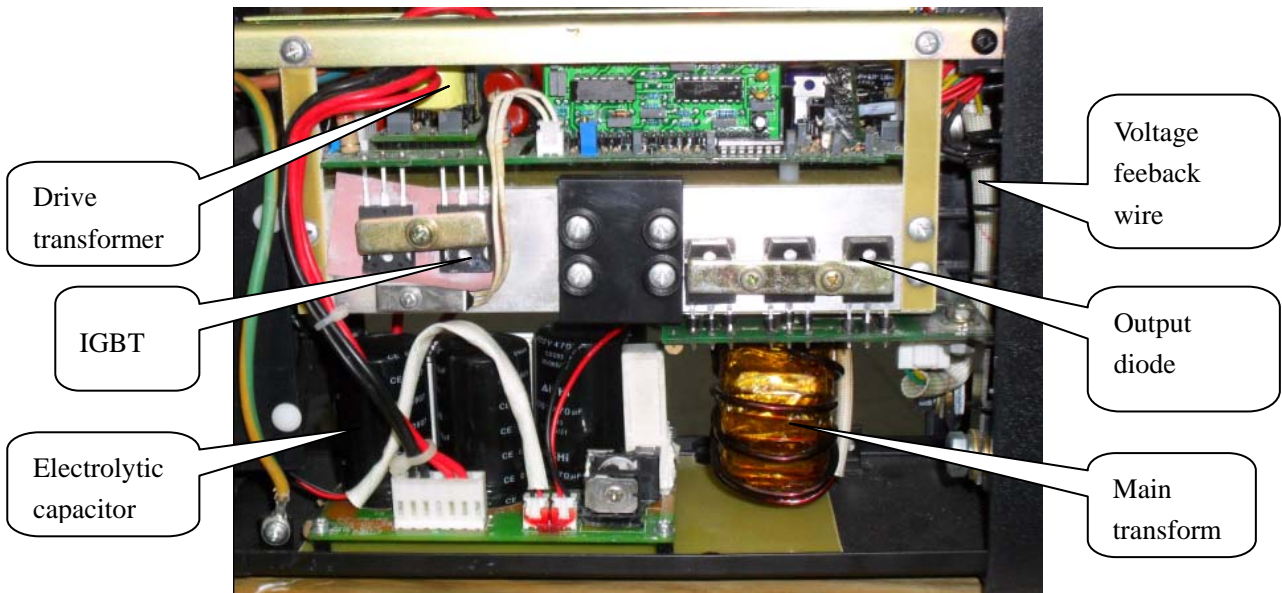
Three phases

II. Inner structure

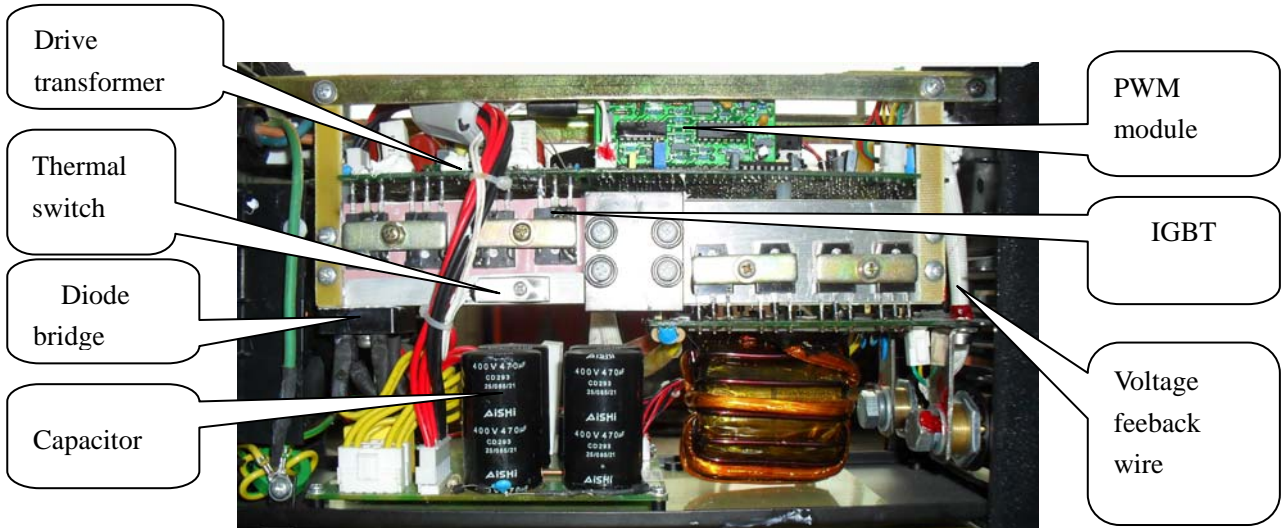
Here only introduce ARC140、ARC160、ARC180、ARC200 and ARC220, other models can also refer to this part.



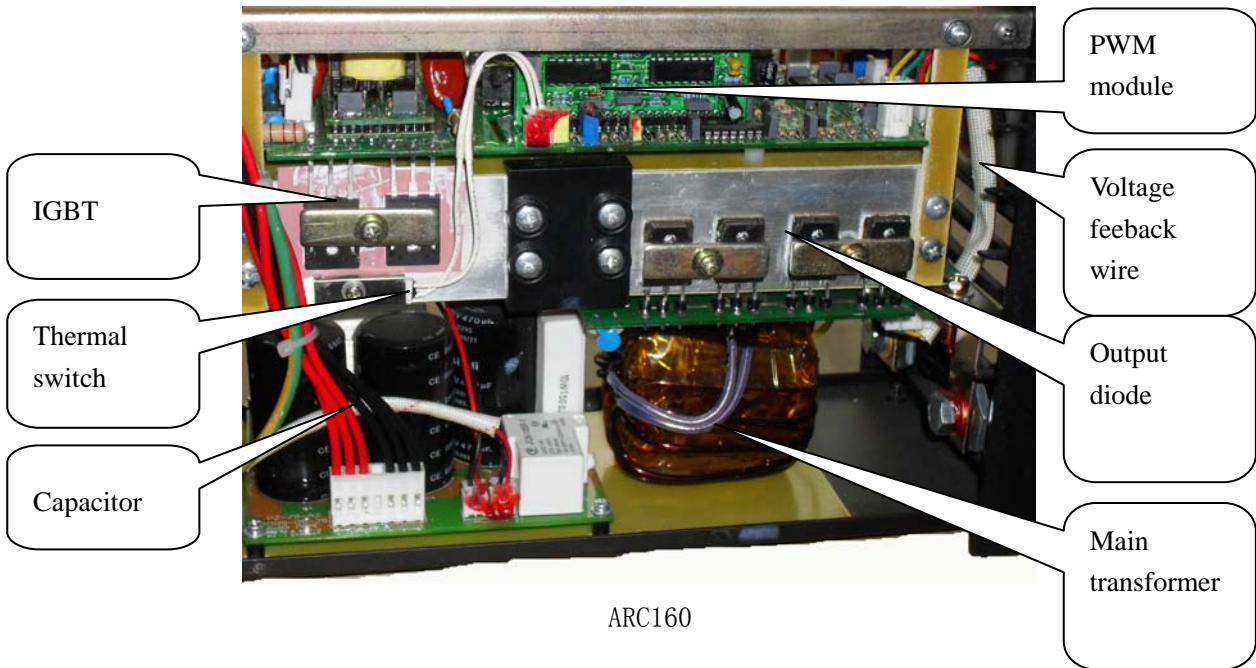
ARC-200



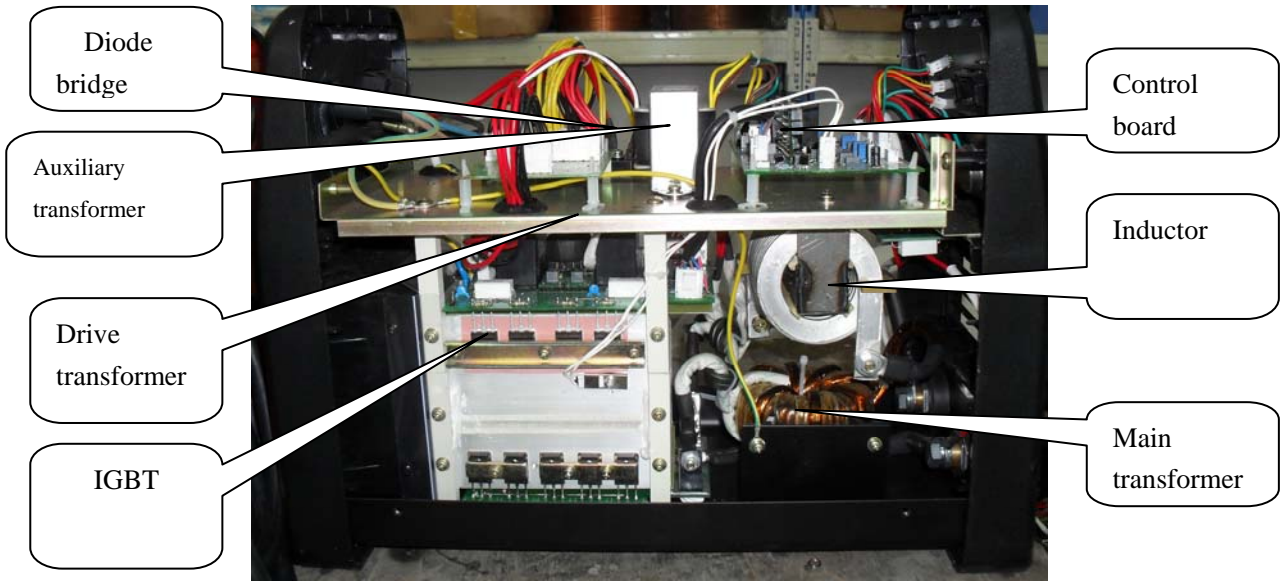
ARC140



ARC180

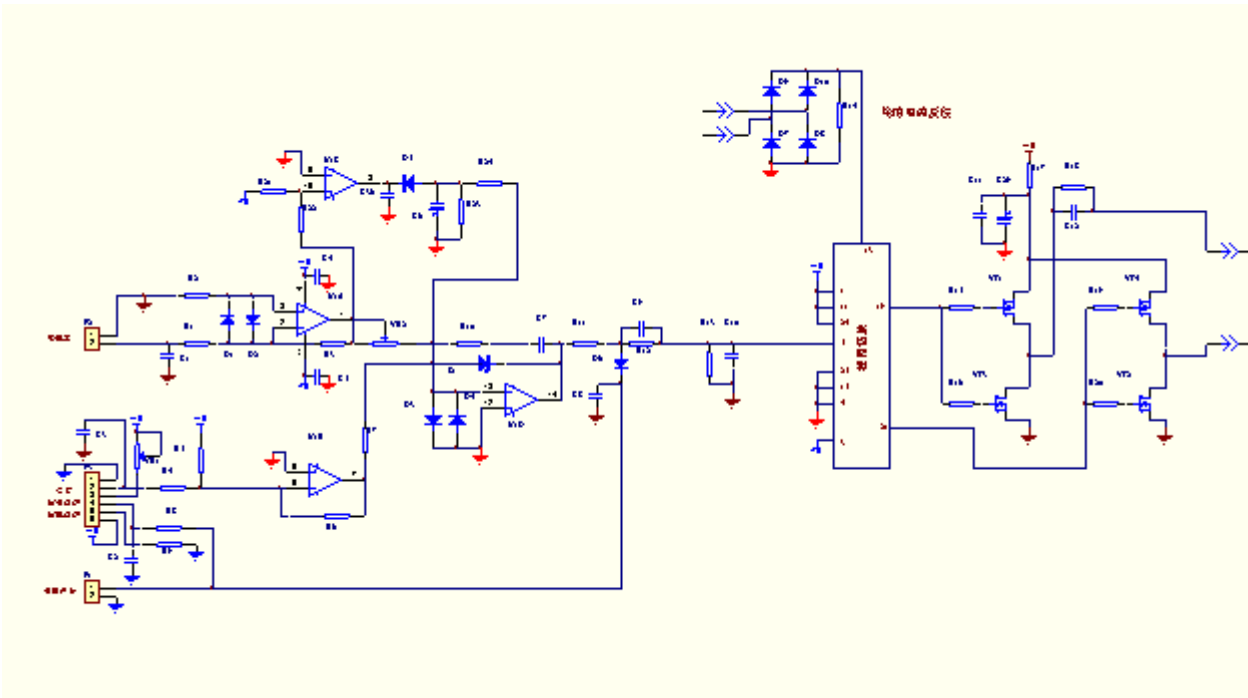


ARC160

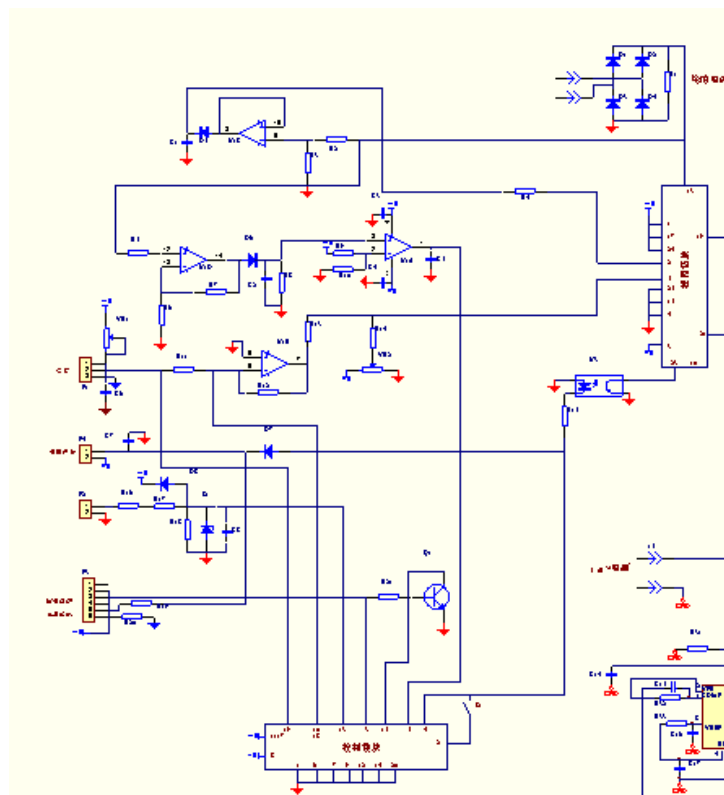


ARC220/ARC250/ARC315

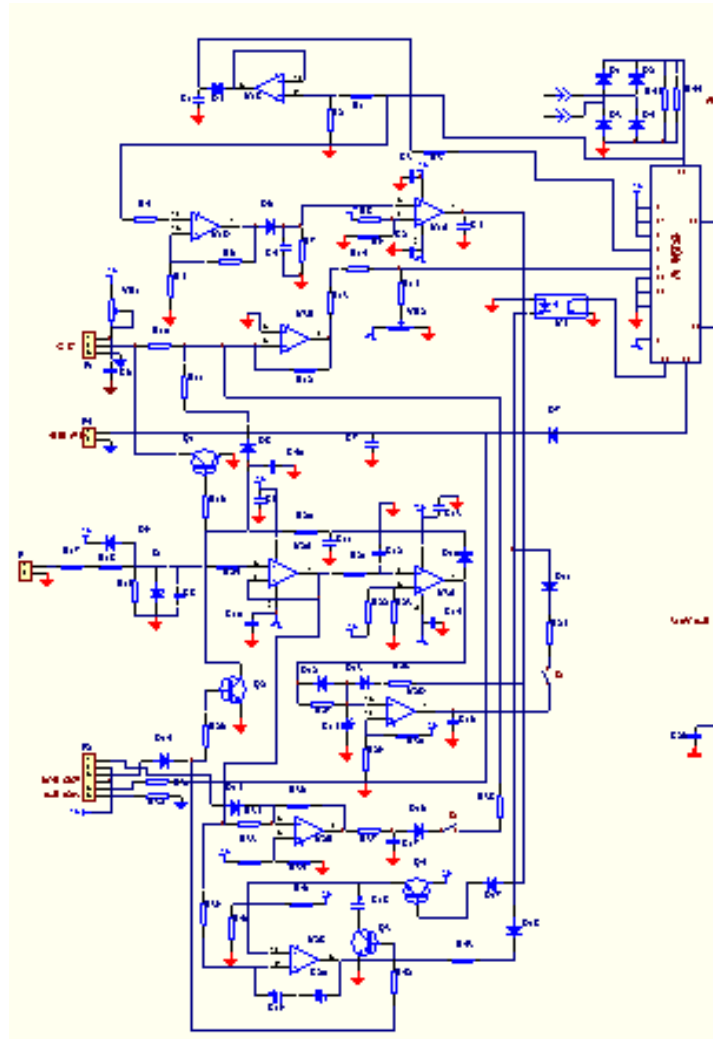
III. Part of Reference SCH



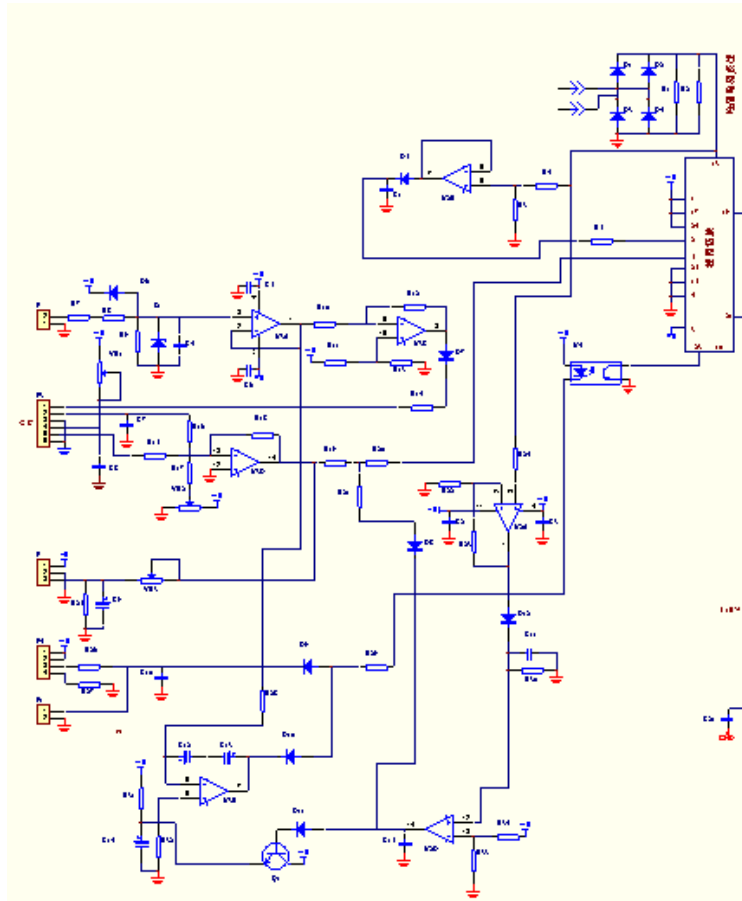
ARC100/ARC120/ARC130



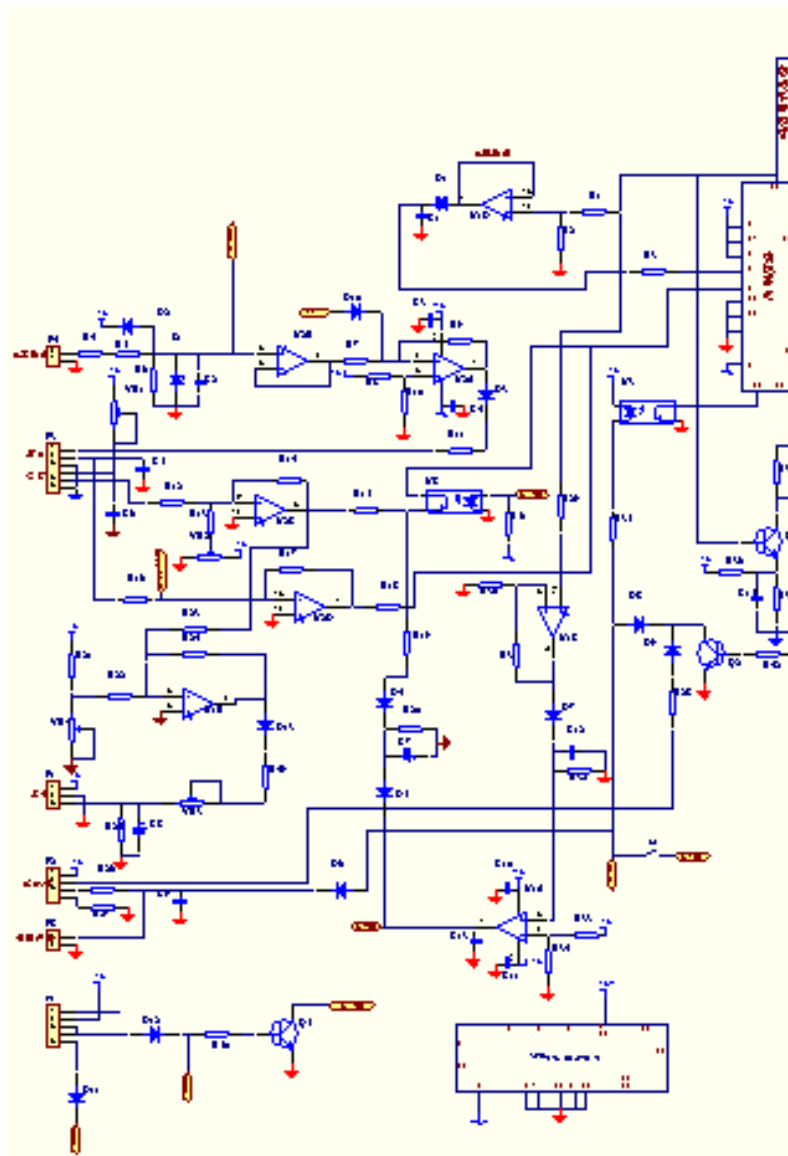
ARC140



ARC160/ARC180

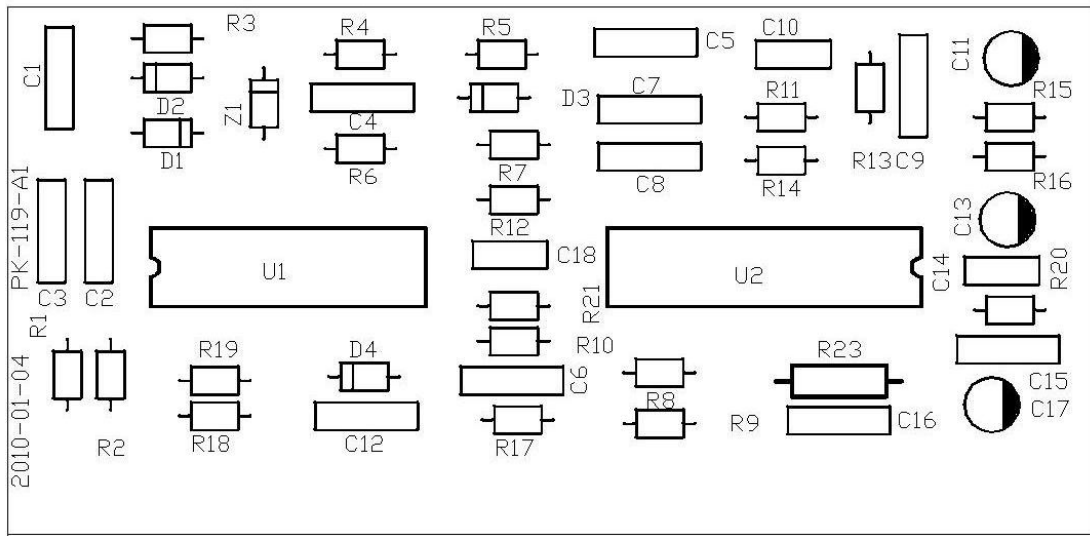


ARC200

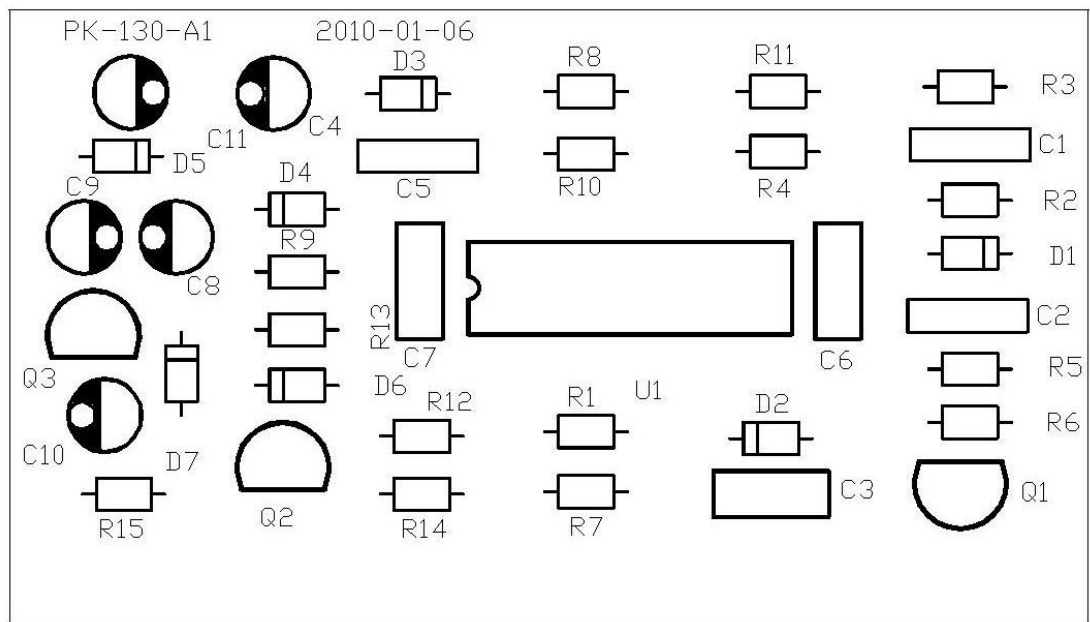


ARC220/ARC250/ARC315

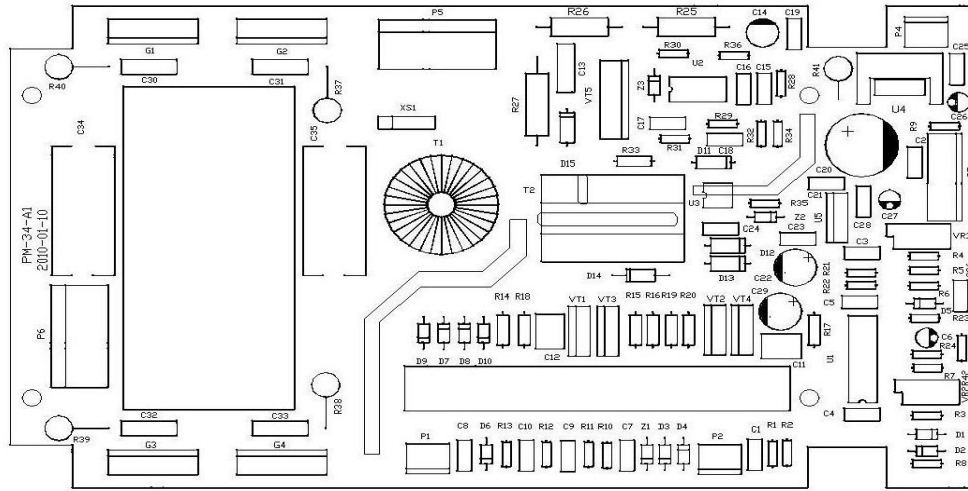
IV. Silk Screen Diagrams



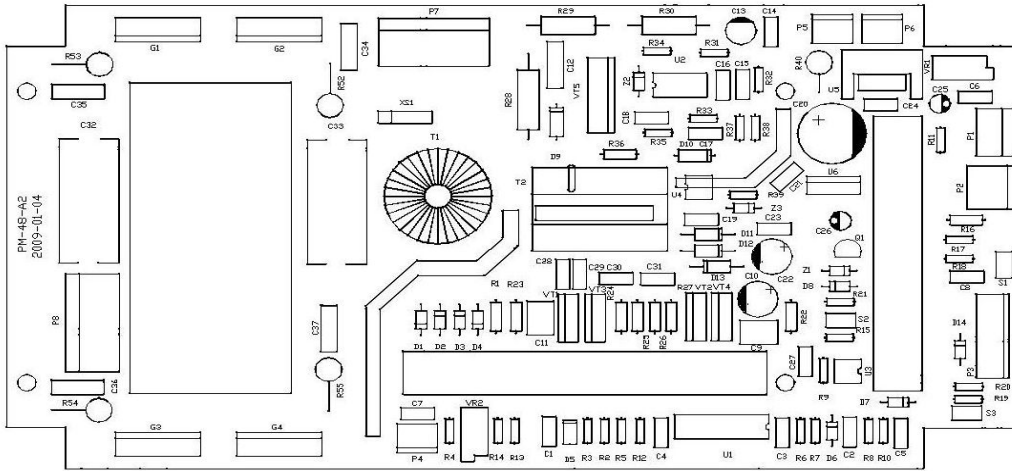
PK-119-A1 (PWM control board)



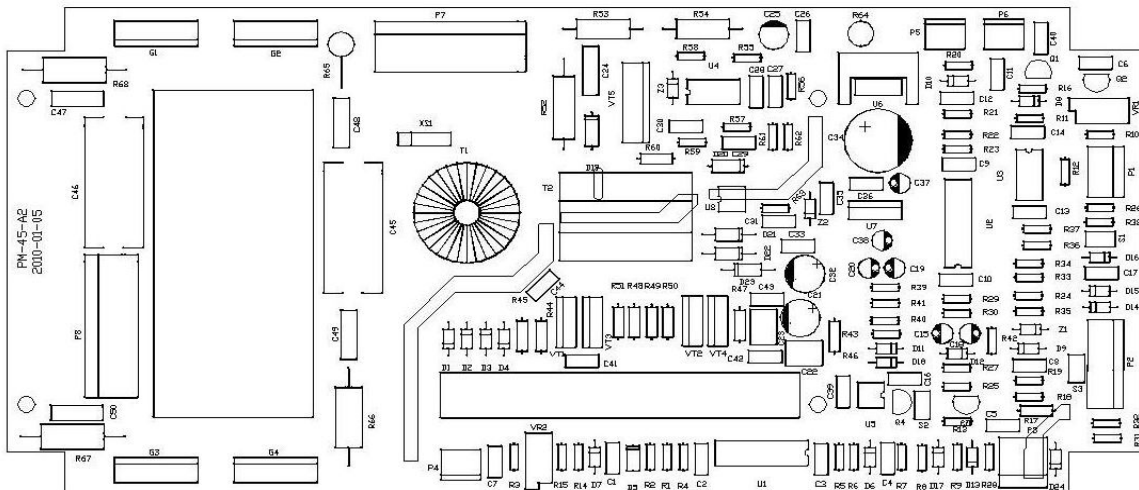
PK-130-A1 (Function module)



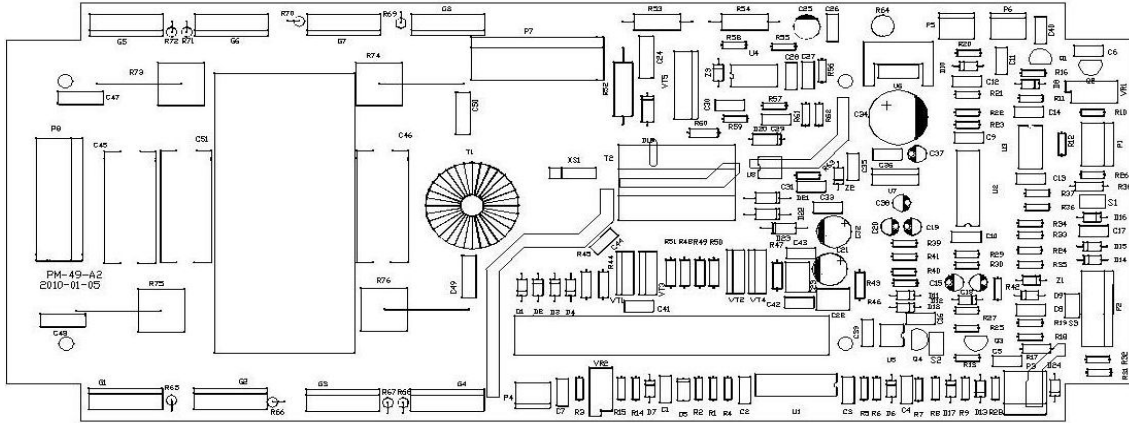
PM-34-A1 (ARC-100/ARC-120/ARC-130 Top board)



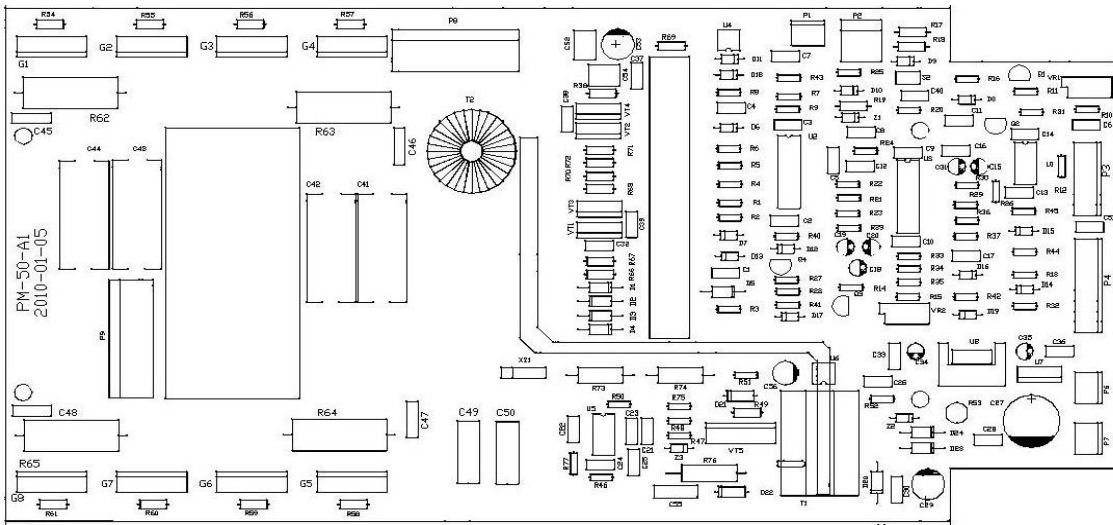
PM-48-A2 (ARC-140 Top board)



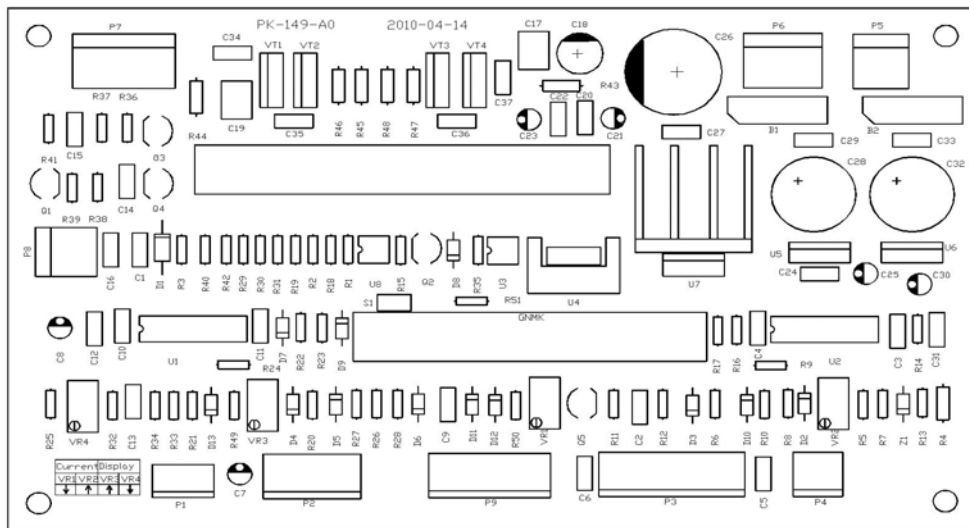
PM-45-A2 (ARC-160/ARC170 Top board)



PM-49-A2(ARC-180 Top board)



PM-50-A1(ARC-200 Top board)



PK-149-A0(ARC220/ARC250/ARC315 Control board)